

Features

- Low forward voltage drop
- Soft recovery
- Hermetic metal cases with ceramic insulators

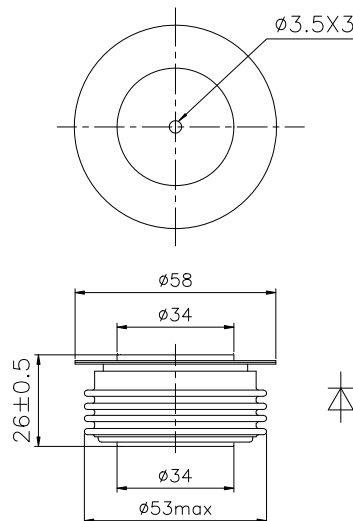
Typical Applications

- Inverters and choppers
- Motor control
- Snubber and free-wheeling diodes

Part No. Y38ZKD-ZT33cT			
I_{F(AV)}	720A		
V_{RRM}	2200V	2500V	3000V
	2800V	3000V	

SYMBOL	CHARACTERISTIC	TEST CONDITIONS		T _j (°C)	VALUE			UNIT
					Min	Type	Max	
I _{F(AV)}	Mean forward current	180° half sine wave 50Hz Double side cooled,	T _C =85°C	150			720	A
V _{RRM}	Repetitive peak reverse voltage	tp=10ms		150	2100		3000	V
I _{RRM}	Repetitive peak current	at V _{RRM}		150			50	mA
I _{FSM}	Surge forward current	10ms half sine wave		150			10	kA
I ² t	I ² t for fusing coordination	V _R =0.6V _{RRM}						500
V _{FO}	Threshold voltage			150			1.78	V
r _F	Forward slope resistance							0.45
V _{FM}	Peak forward voltage	I _{TM} =1000A, F=15kN		25			2.90	V
I _{rm}	Reverse recovery current	I _{TM} =1000A, tp=4000μs, di/dt=-60A/μs, V _R =100V		150		80		A
t _{rr}	Reverse recovery time					4		μs
Q _{rr}	Recovery charge					120	150	μC
R _{th(j-c)}	Thermal resistance Junction to case	At 180° sine double side cooled Clamping force 15kN					0.035	°C /W
R _{th(c-h)}	Thermal resistance case to heat sink						0.008	
F _m	Mounting force				10		20	kN
T _{vj}	Junction temperature				-40		150	°C
T _{stg}	Stored temperature				-40		160	°C
W _t	Weight					250		g
Outline	ZT33cT							

Outline:



TECHSEM reserves the right to change specifications without notice.