

**Features**

- Low forward voltage drop
- Soft recovery
- Hermetic metal cases with ceramic insulators

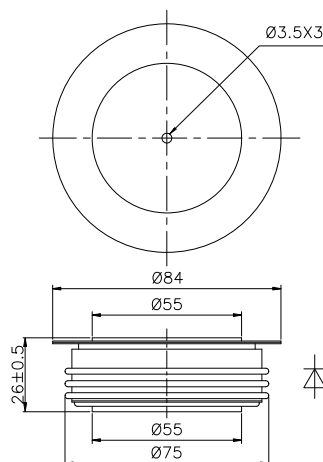
**Typical Applications**

- Inverters and choppers
- Motor control
- Snubber and free-wheeling diodes

<b>Part No. Y60ZKD-ZT54cT</b>			
<b>I<sub>F(AV)</sub></b>	<b>1508A</b>		
<b>V<sub>RRM</sub></b>	<b>2200V</b>	<b>2500V</b>	<b>3000V</b>
	<b>2800V</b>	<b>3000V</b>	

SYMBOL	CHARACTERISTIC	TEST CONDITIONS	T <sub>j</sub> (°C)	VALUE			UNIT	
				Min	Type	Max		
I <sub>F(AV)</sub>	Mean forward current	180° half sine wave 50Hz Double side cooled, T <sub>C</sub> =85°C	150			1508	A	
V <sub>RRM</sub>	Repetitive peak reverse voltage	tp=10ms	150	2100		3000	V	
I <sub>RRM</sub>	Repetitive peak current	at V <sub>RRM</sub>	150			145	mA	
I <sub>FSM</sub>	Surge forward current	10ms half sine wave	150			20	kA	
I <sup>2</sup> t	I <sup>2</sup> t for fusing coordination	V <sub>R</sub> =0.6V <sub>RRM</sub>					2000	A <sup>2</sup> s*10 <sup>3</sup>
V <sub>FO</sub>	Threshold voltage		150			1.58	V	
r <sub>F</sub>	Forward slope resistance						0.30	mΩ
V <sub>FM</sub>	Peak forward voltage	I <sub>TM</sub> =2000A, F=28kN	25			2.80	V	
I <sub>rm</sub>	Reverse recovery current		150		200		A	
t <sub>rr</sub>	Reverse recovery time	I <sub>TM</sub> =1000A, tp=4000μs, di/dt=-60A/μs, V <sub>R</sub> =100V				8		μs
Q <sub>rr</sub>	Recovery charge					800	1010	μC
R <sub>th(j-c)</sub>	Thermal resistance Junction to case	At 180° sine, double side cooled Clamping force 28kN				0.016	°C /W	
R <sub>th(c-h)</sub>	Thermal resistance case to heat sink					0.004		
F <sub>m</sub>	Mounting force			21		30	kN	
T <sub>vj</sub>	Junction temperature			-40		150	°C	
T <sub>stg</sub>	Stored temperature			-40		160	°C	
W <sub>t</sub>	Weight					640	g	
Outline	ZT54cT							

Outline:



TECHSEM reserves the right to change specifications without notice.