

Features:

- Non-isolated. Mounting base as anode or cathode terminal
- Pressure contact technology with Increased power cycling capability
- Low on-state voltage drop

Typical Applications:

- Welding Power Supply
- Various DC Power supplies
- DC supply for PWM inverter

V _{RRM} , V _{DRM}	Type & Outline	
800V	MTx200-08-213F4	MFx200-08-213F4
1000V	MTx200-10-213F4	MFx200-10-213F4
1200V	MTx200-12-213F4	MFx200-12-213F4
1400V	MTx200-14-213F4	MFx200-14-213F4
1600V	MTx200-16-213F4	MFx200-16-213F4
1800V	MTx200-18-213F4	MFx200-18-213F4

MTx stands for any type of **MTG, MTY**
 MFx stands for any type of **MFG, MFY**

SYMBOL	CHARACTERISTIC	TEST CONDITIONS	T _j (°C)	VALUE			UNIT
				Min	Type	Max	
I _{T(AV)}	Mean on-state current	180° half sine wave 50Hz Single side cooled, T _c =90°C	125			200	A
I _{T(RMS)}	RMS on-state current					314	A
I _{DRM} I _{RRM}	Repetitive peak current	at V _{DRM} at V _{RRM}	125			20	mA
I _{TSM}	Surge on-state current	V _R =60%V _{RRM} , t=10ms half sine	125			5.2	kA
I ² t	I ² t for fusing coordination		125			135	10 ³ A ² s
V _{TO}	Threshold voltage		125			0.80	V
r _T	On-state slope resistance					1.15	mΩ
V _{TM}	Peak on-state voltage	I _{TM} =600A	25			1.62	V
dv/dt	Critical rate of rise of off-state voltage	V _{DM} =67%V _{DRM}	125			800	V/μs
di/dt	Critical rate of rise of on-state current	Gate source 1.5A t _r ≤ 0.5μs Repetitive	125			100	A/μs
I _{GT}	Gate trigger current	V _A =12V, I _A =1A	25	30		150	mA
V _{GT}	Gate trigger voltage			0.8		2.5	V
I _H	Holding current			10		180	mA
I _L	Latching current					1000	mA
V _{GD}	Non-trigger gate voltage	V _{DM} =67%V _{DRM}	125			0.2	V
R _{th(j-c)}	Thermal resistance Junction to case	At 180° sine, Single side cooled per chip				0.13	°C/W
R _{th(c-h)}	Thermal resistance case to heatsink	At 180° sine, Single side cooled per chip				0.10	°C/W
F _m	Terminal connection torque(M6)			4.5		6.0	N·m
	Mounting torque(M6)			4.5		6.0	N·m
T _{vj}	Junction temperature			-40		125	°C
T _{stg}	Stored temperature			-40		125	°C
W _t	Weight				280		g
Outline	213F4						

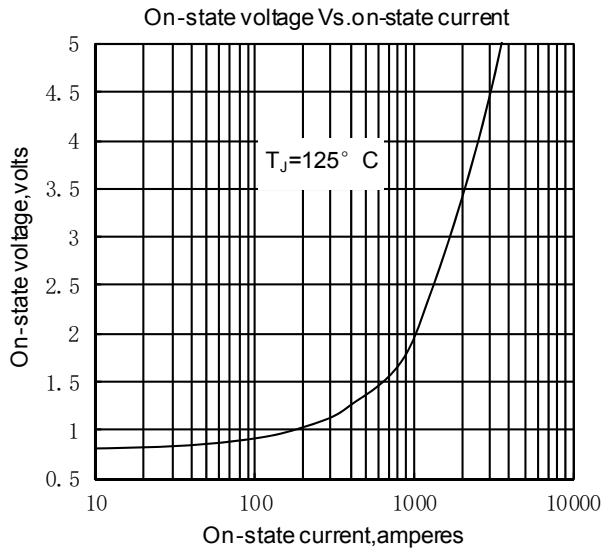


Fig.1

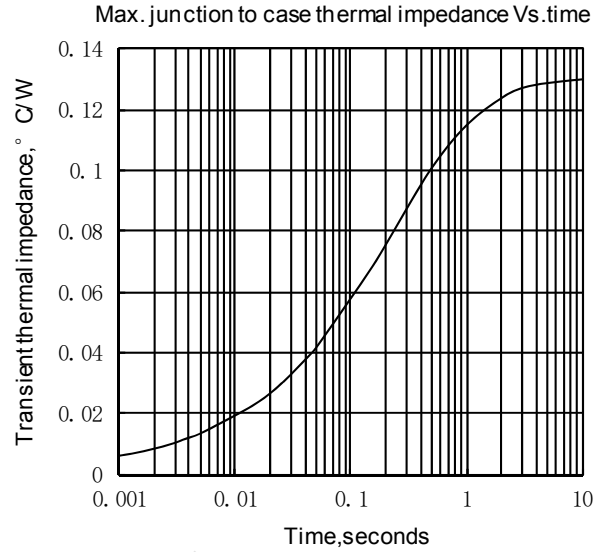


Fig.2

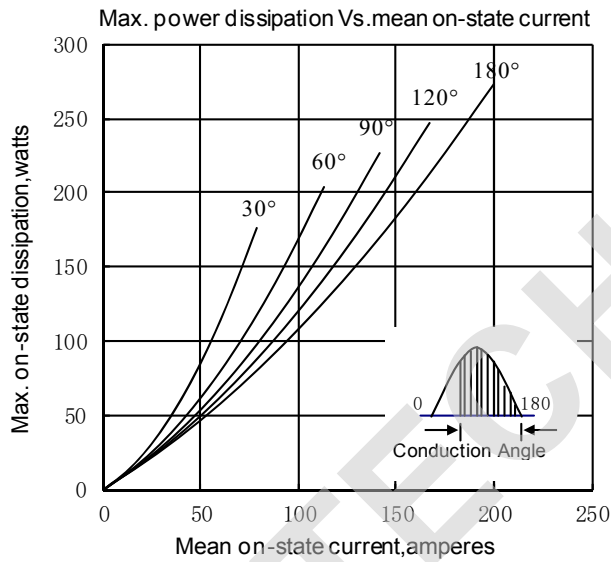


Fig.3

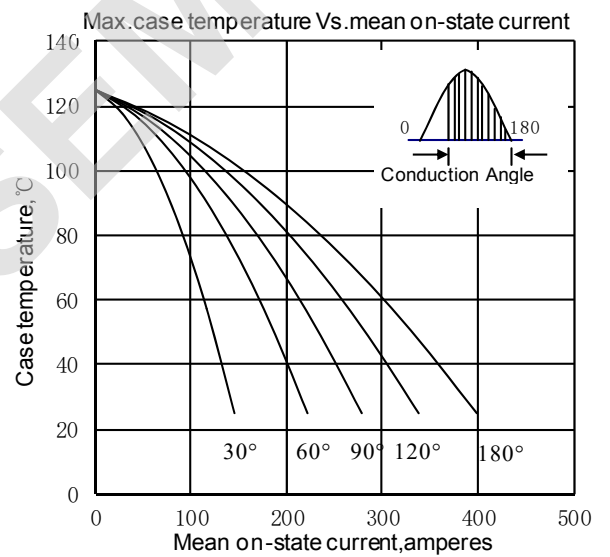


Fig.4

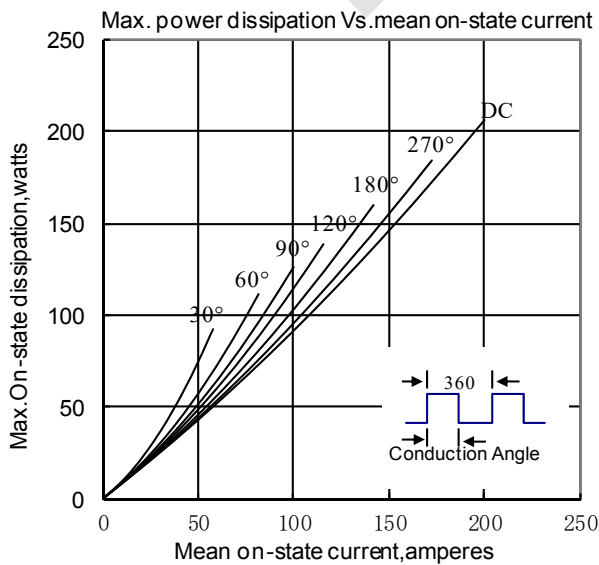


Fig.5

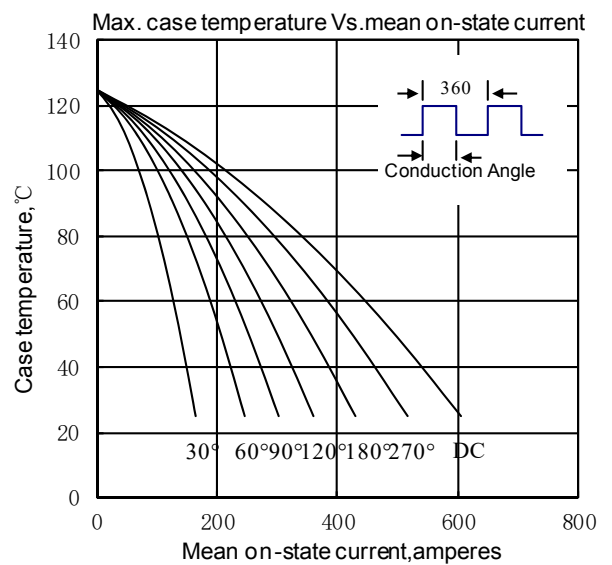


Fig.6

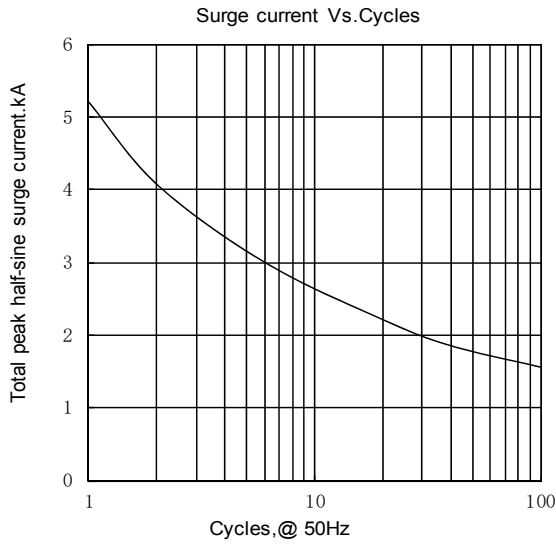


Fig.7

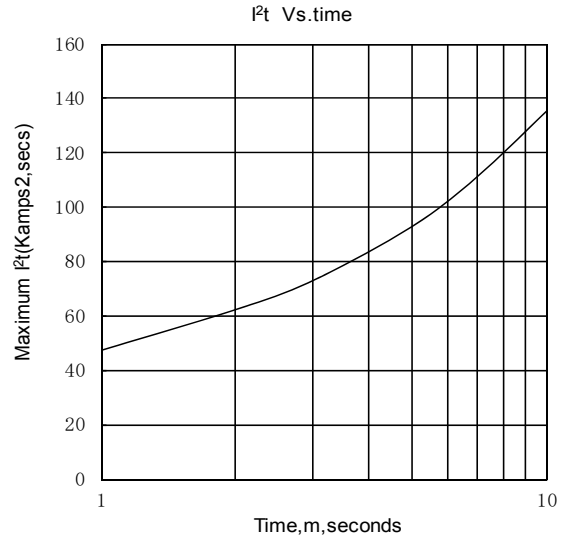


Fig.8

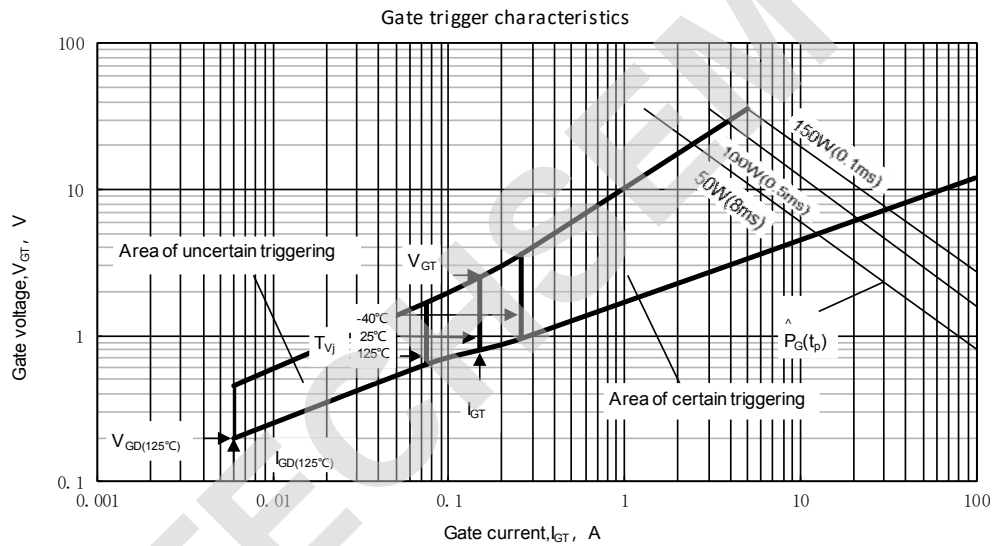
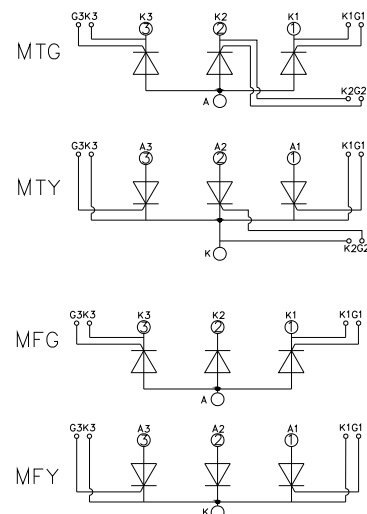
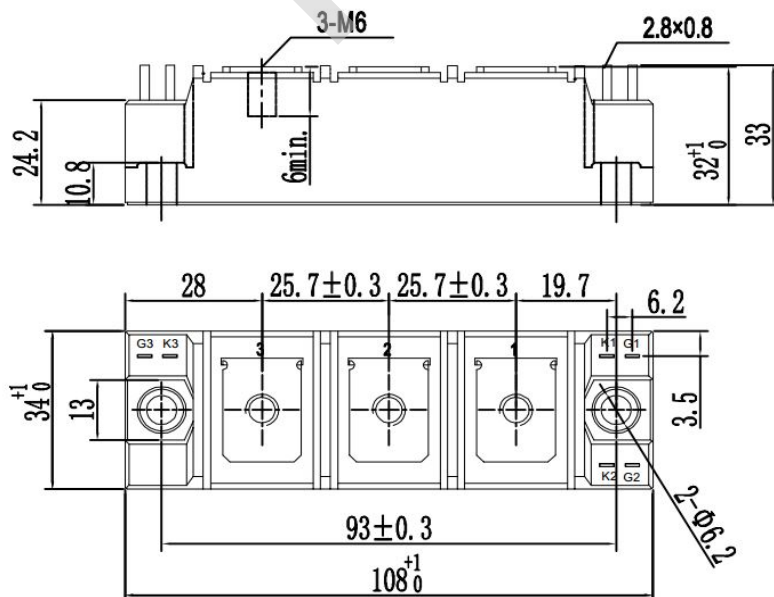


Fig.9

Outline:



Unmarked dimensional tolerance: $\pm 0.5\text{mm}$

TECHSEM reserves the right to change specifications without notice.