

Features

- n Excellent dynamic characteristics
- n Fast turn-on and high di/dt
- n Low switching losses

Typical Applications

- n Design for inverter supply application

Part No. Y50KFE-KT50cT

I_{T(AV)}	1494A
V_{DRM}	1200V~2000V
V_{RRM}	1000V~1800V
t_q	15~55μs

SYMBOL	CHARACTERISTIC	TEST CONDITIONS	T _j (°C)	VALUE			UNIT
				Min	Type	Max	
I _{T(AV)}	Mean on-state current	180° half sine wave 50Hz Double side cooled,	125			1494	A
						1243	
V _{DRM}	Repetitive peak off-state voltage	tp=10ms	125	1200		2000	V
V _{RRM}	Repetitive peak reverse voltage			1000		1800	
I _{DRM} I _{RRM}	Repetitive peak current	at V _{DRM} at V _{RRM}	125			80	mA
I _{TSM}	Surge on-state current	10ms half sine wave	125			17	kA
I ² t	I ² t for fusing coordination	V _R =0.6V _{RRM}				1445	A ² s*10 ³
V _{TO}	Threshold voltage		125			1.57	V
r _T	On-state slop resistance					0.21	mΩ
V _{TM}	Peak on-state voltage	I _{TM} =3000A, F=24kN	25			2.50	V
						2.10	V
dv/dt	Critical rate of rise of off-state voltage	V _{DM} =0.67V _{DRM}	125			1000	V/μs
di/dt	Critical rate of rise of on-state current	V _{DM} = 67%V _{DRM} to 1600A, Gate pulse t _r ≤0.5μs I _{GM} =1.5A	125			1500	A/μs
Q _{rr}	Recovery charge	I _{TM} =1000A, tp=4000μs, di/dt=-20A/μs, V _R =100V	125		750		μC
t _q	Circuit commutated turn-off time	I _{TM} =1000A, tp=4000μs, V _R =100V dv/dt=30V/μs ,di/dt=-20A/μs	125	15		55	μs
I _{GT}	Gate trigger current	V _A =12V, I _A =1A	25	40		300	mA
V _{GT}	Gate trigger voltage			0.9		3.0	V
I _H	Holding current			20		500	mA
I _L	Latching current					1000	mA
V _{GD}	Non-trigger gate voltage	V _{DM} =67%V _{DRM}	125			0.3	V
R _{th(j-c)}	Thermal resistance Junction to case	At 180° sine double side cooled Clamping force 24kN				0.020	°C/W
R _{th(c-h)}	Thermal resistance case to heat sink					0.005	
F _m	Mounting force			19		26	kN
T _{vj}	Junction temperature			-40		125	°C
T _{stg}	Stored temperature			-40		140	°C
W _t	Weight				440		g
Outline	KT50cT						

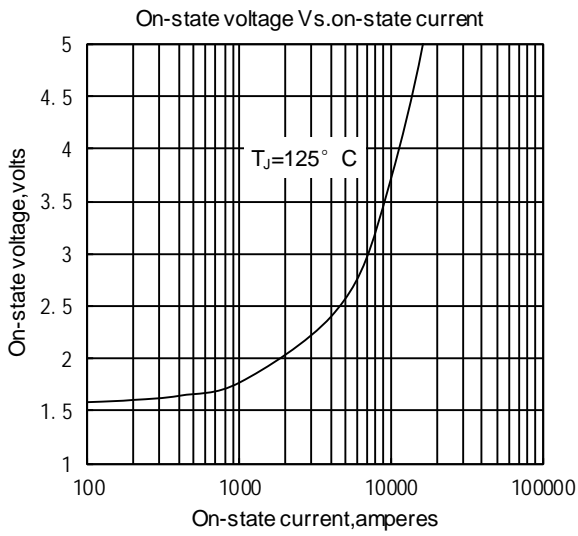


Fig.1

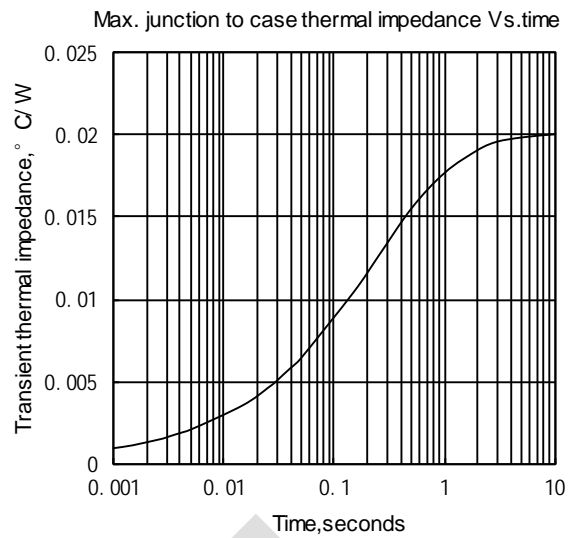


Fig.2

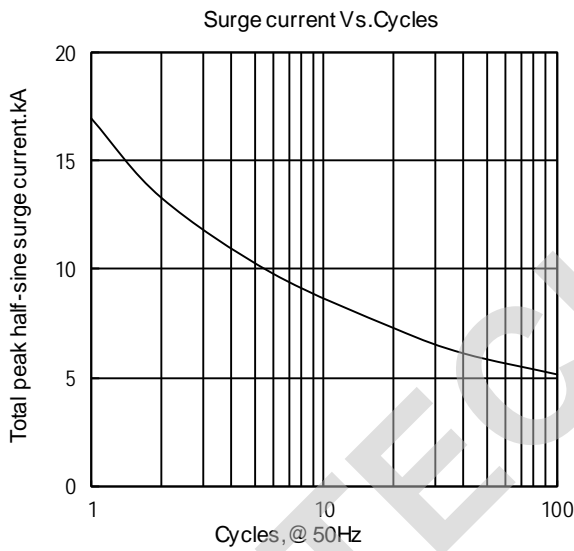


Fig.3

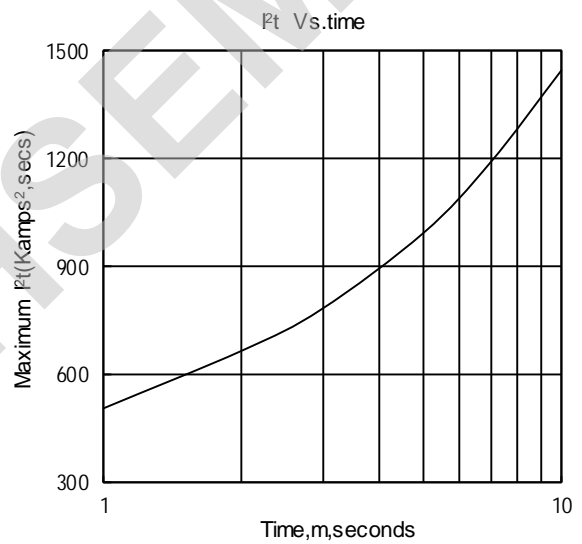


Fig.4

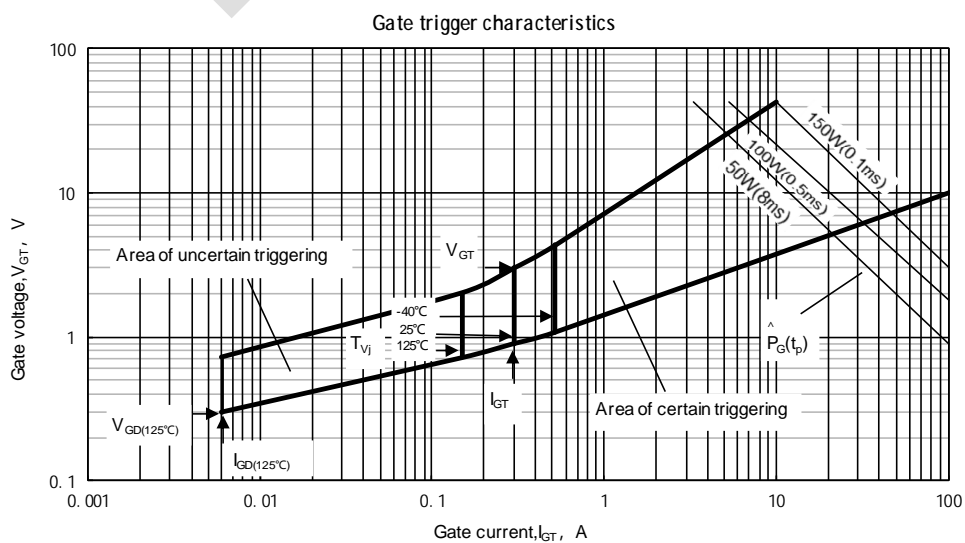
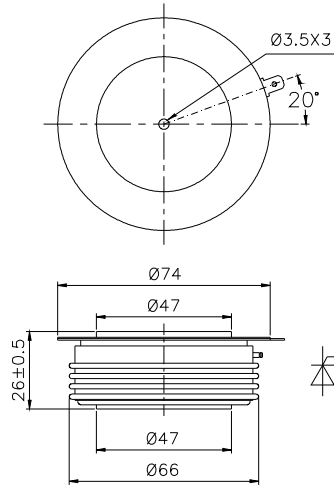


Fig.5

Outline:



TECHSEM reserves the right to change specifications without notice.

TECHSEM