**Features**

- n Low forward voltage drop
- n High reverse voltage
- n Hermetic metal cases with ceramic insulators

Typical Applications

- n Pulsed power
- n Follow current

Part No. H150ZMU-ZT140dT

I_{F(AV)}	6500 A
V_{R(RM)}	8000V 8500V

SYMBOL	CHARACTERISTIC	TEST CONDITIONS		T _i (°C)	VALUE			UNIT
					Min	Type	Max	
I _{F(AV)}	Mean forward current	180° half sine wave 50Hz Double side cooled,	T _C =100°C	150			6500	A
V _{R(RM)}	Repetitive peak reverse voltage	t _p =10ms		150	8000		8500	V
I _{R(RM)}	Repetitive peak current	At V _{R(RM)}		150			500	mA
I _{FSM}	Surge forward current	10ms half sine wave V _R =0.6V _{R(RM)}		150			100	kA
I ² t	I ² t for fusing coordination						50000	10 ³ A ² s
V _{FO}	Threshold voltage			150			0.800	V
r _F	Forward slope resistance						0.125	mΩ
V _{FM}	Peak forward voltage	I _{FM} =5000A, F=120kN		25			1.50	V
Q _{rr}	Recovery charge	I _{FM} =2000A, t _p =4000μs, di/dt=-20A/μs, V _R =100V				14000		μC
R _{th(j-c)}	Thermal resistance Junction to case	Double side cooled					0.0028	°C/W
R _{th(c-h)}	Thermal resistance case to heat sink	Clamping force 120kN					0.0006	
F _m	Mounting force				165		190	kN
T _{vj}	Junction temperature				-40		150	°C
T _{stg}	Stored temperature				-40		160	°C
W _t	Weight					4000		g
Outline	ZT140dT							

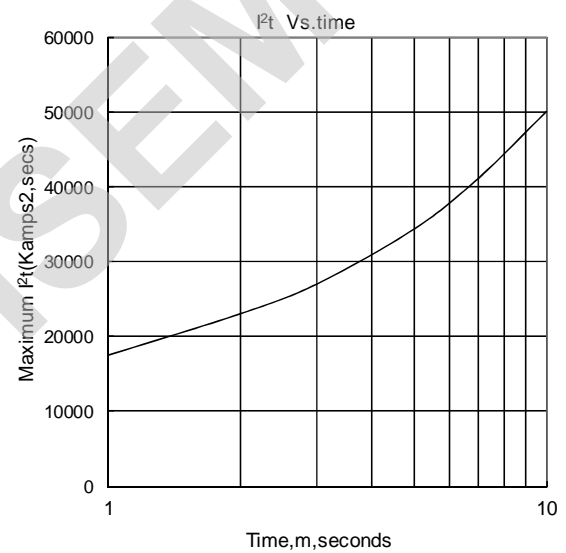
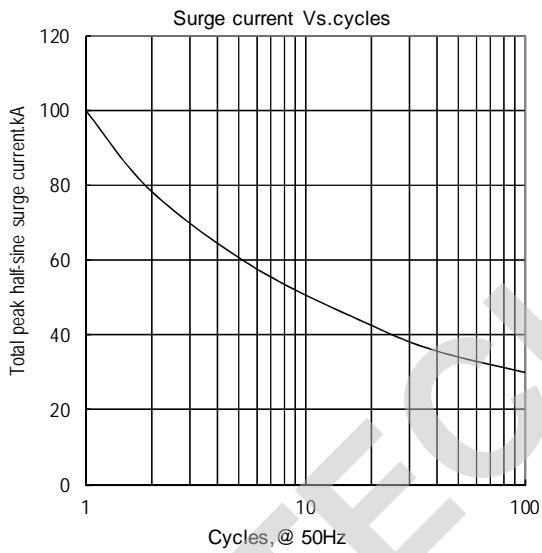
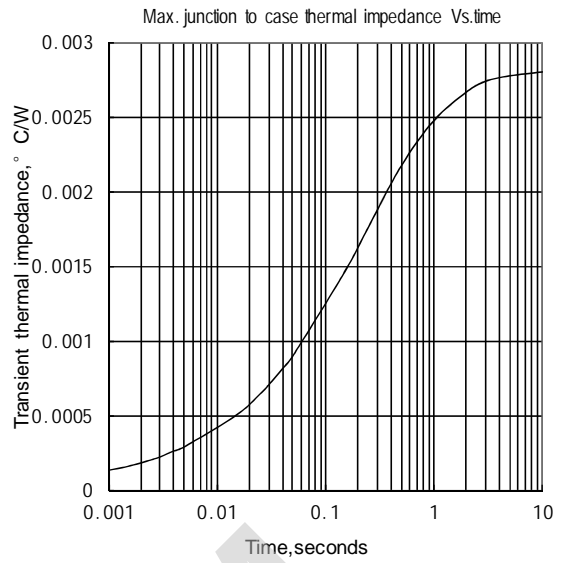
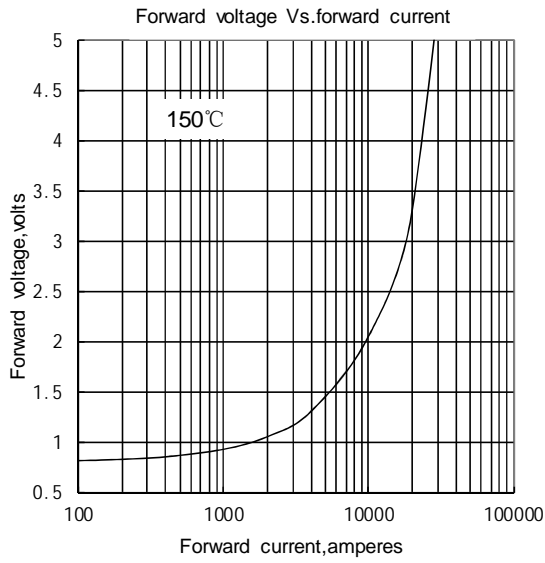
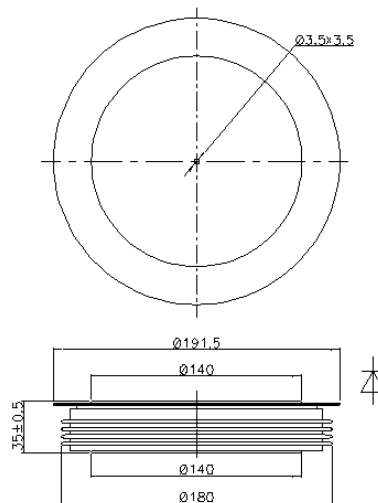


Fig.3

Fig.4

Outline:



TECHSEM reserves the right to change specifications without notice.