

Features

- n Low forward voltage drop
- n Soft recovery
- n Hermetic metal cases with ceramic insulators

Typical Applications

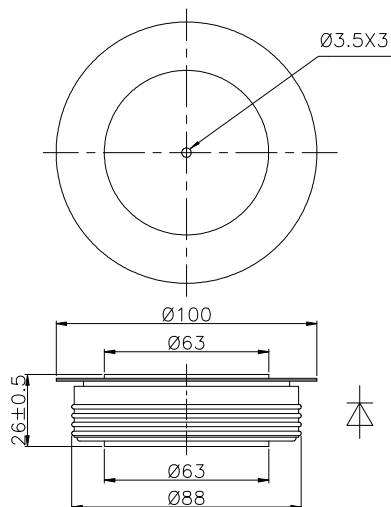
- n Inverters and choppers
- n Motor control
- n Snubber and free-wheeling diodes

Part No. Y70ZKC-ZT60cT

I_{F(AV)}	2620A
V_{RRM}	1200V 1400V
	1600V 1800V
	2000V

SYMBOL	CHARACTERISTIC	TEST CONDITIONS		T _j (°C)	VALUE			UNIT
					Min	Type	Max	
I _{F(AV)}	Mean forward current	180° half sine wave 50Hz	T _C =85°C	150			2620	A
V _{RRM}	Repetitive peak reverse voltage	tp=10ms		150	1100		2000	V
I _{RRM}	Repetitive peak current	at V _{RRM}		150			195	mA
I _{FSM}	Surge forward current	10ms half sine wave		150			31	kA
I ² t	I ² t for fusing coordination	V _R =0.6V _{RRM}					4805	A ² s*10 ³
V _{FO}	Threshold voltage			150			1.10	V
r _F	Forward slope resistance						0.15	mΩ
V _{FM}	Peak forward voltage	I _{TM} =5000A, F=35kN		25			2.80	V
I _{rm}	Reverse recovery current			150			228	A
t _{rr}	Reverse recovery time	I _{TM} =2000A, tp=4000μs, di/dt=-60A/μs, V _R =100V					7	μs
Q _{rr}	Recovery charge					800	1000	μC
R _{th(j-c)}	Thermal resistance Junction to case	At 180° sine double side cooled Clamping force 35kN					0.012	°C/W
R _{th(c-h)}	Thermal resistance case to heat sink						0.003	
F _m	Mounting force				30		40	kN
T _{vj}	Junction temperature				-40		150	°C
T _{stg}	Stored temperature				-40		160	°C
W _t	Weight					880		g
Outline	ZT60cT							

Outline:



TECHSEM reserves the right to change specifications without notice.