

Features

- n Low forward voltage drop
- n Soft recovery
- n Hermetic metal cases with ceramic insulators

Typical Applications

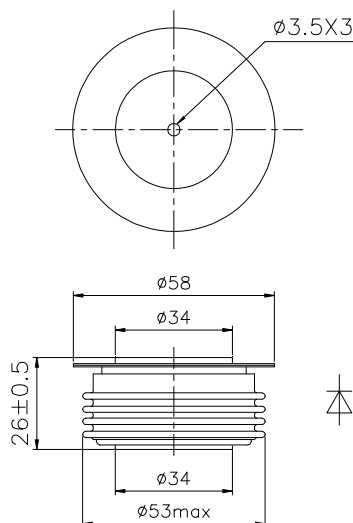
- n Inverters and choppers
- n Motor control
- n Snubber and free-wheeling diodes

Part No. Y38ZKC-ZT33cT

I_{F(AV)}	880A	
V_{R(RM)}	1200V	1400V
	1600V	1800V
	2000V	

SYMBOL	CHARACTERISTIC	TEST CONDITIONS	T _j (°C)	VALUE			UNIT	
				Min	Type	Max		
I _{F(AV)}	Mean forward current	180° half sine wave 50Hz Double side cooled, T _C =85°C	150			880	A	
V _{R(RM)}	Repetitive peak reverse voltage	tp=10ms	150	1100		2000	V	
I _{R(RM)}	Repetitive peak current	at V _{R(RM)}	150			50	mA	
I _{FSM}	Surge forward current	10ms half sine wave	150			12	kA	
I ² t	I ² t for fusing coordination	V _R =0.6V _{R(RM)}				720	A ² s*10 ³	
V _{FO}	Threshold voltage		150			1.51	V	
r _F	Forward slope resistance					0.37	mΩ	
V _{FM}	Peak forward voltage	I _{TM} =2400A, F=15kN	25			2.8	V	
I _{rm}	Reverse recovery current		150		76		A	
t _{rr}	Reverse recovery time	I _{TM} =1000A, tp=4000μs, di/dt=-60A/μs, V _R =100V				3.0		μs
Q _{rr}	Recovery charge				114	130		μC
R _{th(j-c)}	Thermal resistance Junction to case	At 180° sine double side cooled Clamping force 15kN				0.035	°C /W	
R _{th(c-h)}	Thermal resistance case to heat sink					0.008		
F _m	Mounting force			10		20	kN	
T _{vj}	Junction temperature			-40		150	°C	
T _{stg}	Stored temperature			-40		160	°C	
W _t	Weight				250		g	
Outline	ZT33cT							

Outline:



TECHSEM reserves the right to change specifications without notice.