



**Features**

- n Low forward voltage drop
- n Soft recovery
- n Hermetic metal cases with ceramic insulators

**Typical Applications**

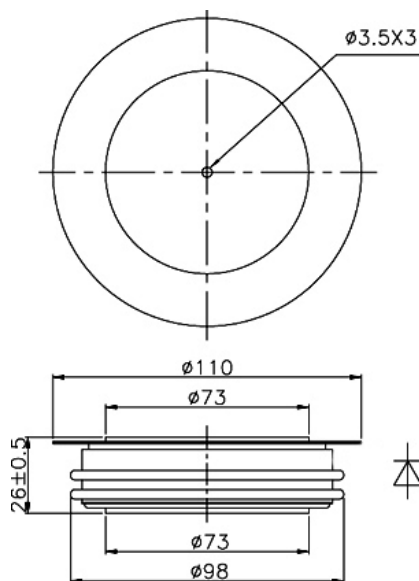
- n Inverters and choppers
- n Motor control
- n Snubber and free-wheeling diodes

**Part No. Y76ZKG-ZT73cT**

<b>I<sub>F(AV)</sub></b>	<b>2175A</b>	
<b>V<sub>RRM</sub></b>	<b>4000V</b>	<b>4200V</b>
	<b>4500V</b>	<b>5000V</b>

SYMBOL	CHARACTERISTIC	TEST CONDITIONS	T <sub>j</sub> (°C)	VALUE			UNIT	
				Min	Type	Max		
I <sub>F(AV)</sub>	Mean forward current	180° half sine wave 50Hz Double side cooled, T <sub>C</sub> =85°C	150			2175	A	
V <sub>RRM</sub>	Repetitive peak reverse voltage	tp=10ms	150	4000		5000	V	
I <sub>RRM</sub>	Repetitive peak current	at V <sub>RRM</sub>	150			240	mA	
I <sub>FSM</sub>	Surge forward current	10ms half sine wave	150			30	kA	
I <sup>2</sup> t	I <sup>2</sup> t for fusing coordination	V <sub>R</sub> =0.6V <sub>RRM</sub>					4500	A <sup>2</sup> s*10 <sup>3</sup>
V <sub>FO</sub>	Threshold voltage		150			1.65	V	
r <sub>F</sub>	Forward slope resistance						0.25	mΩ
V <sub>FM</sub>	Peak forward voltage	I <sub>TM</sub> =3000A, F=40kN	25			3.00	V	
I <sub>m</sub>	Reverse recovery current	I <sub>TM</sub> =2000A, tp=4000μs, di/dt=-60A/μs, V <sub>R</sub> =100V	150			320	A	
t <sub>rr</sub>	Reverse recovery time					12		μs
Q <sub>rr</sub>	Recovery charge					1900	2200	μC
R <sub>th(j-c)</sub>	Thermal resistance Junction to case	At 180° sine double side cooled Clamping force 40kN				0.010	°C/W	
R <sub>th(c-h)</sub>	Thermal resistance case to heat sink					0.003		
F <sub>m</sub>	Mounting force			35		47	kN	
T <sub>vj</sub>	Junction temperature			-40		150	°C	
T <sub>stg</sub>	Stored temperature			-40		160	°C	
W <sub>t</sub>	Weight					1100	g	
Outline	ZT73cT							

**Outline:**



TECHSEM reserves the right to change specifications without notice.