

**Features:**

- n High power
- n High reliability
- n Low price、Long life

**Typical Applications:**

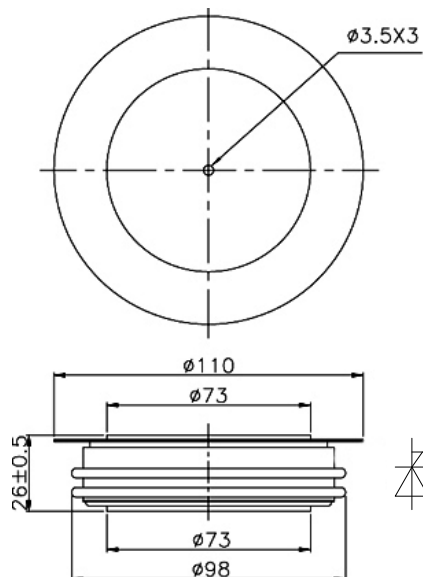
- n Generator for power exciter laser pumping
- n Pulse energization of electrostatic precipitator

**Part No. Y76DSE-ZT73cT**

<b>I<sub>P</sub></b>	<b>250kA</b>
<b>V<sub>DRM</sub>, V<sub>RRM</sub></b>	<b>1200V 1400V</b>
	<b>1600V 1800V</b>
	<b>2000V</b>

SYMBOL	CHARACTERISTIC	TEST CONDITIONS	VALUE			UNIT
			Min	Type	Max	
I <sub>P</sub>	Repetitive peak current	T <sub>J</sub> =25°C I <sub>RT</sub> =1500A t <sub>p</sub> =50μs			250	kA
V <sub>DRM</sub>	Repetitive peak off-state voltage	T <sub>J</sub> =25°C	1200		2000	V
I <sub>TSM</sub>	Surge on-state current	T <sub>J</sub> =25°C t <sub>p</sub> =10ms			25	kA
V <sub>TM</sub>	Peak forward voltage	T <sub>J</sub> =25°C I <sub>p</sub> =250kA t <sub>p</sub> =50μs			20	V
dv/dt	Critical rate of rise of off-state voltage				0.8	kV/μs
di/dt	Critical rate of rise of on-state current	T <sub>J</sub> =25°C t <sub>p</sub> =50μs			60	kA/μs
I <sub>RT</sub>	Reverse peak trigger current			1.5		kA
T <sub>T</sub>	peak trigger current duration		1.5		3.0	μs
t <sub>q</sub>	Circuit commutated turn-off time			150		μs
F <sub>m</sub>	Mounting force		35		47	kN
Outline	ZT73cT					

**Outline**



TECHSEM reserves the right to change specifications without notice.