

Features:

- n High power
- n High reliability
- n Low price、Long life

Typical Applications:

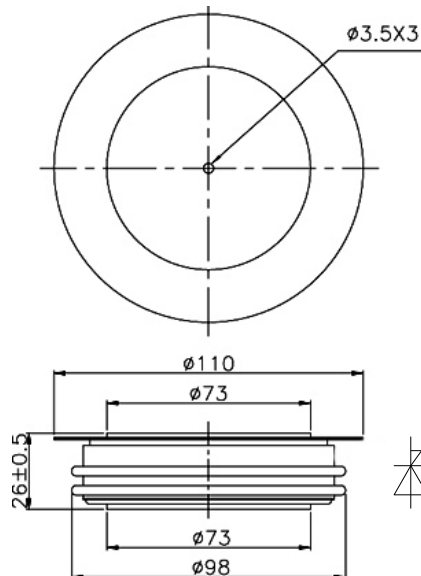
- n Generator for power exciter laser pumping
- n Pulse energization of electrostatic precipitator

Part No. Y76DSH-ZT73cT

I_P	250kA
V_{DRM}, V_{RRM}	2200V 2400V
	2600V 2800V
	3000V

SYMBOL	CHARACTERISTIC	TEST CONDITIONS	VALUE			UNIT
			Min	Type	Max	
I _P	Repetitive peak current	T _J =25°C I _{RT} =1500A t _p =50μs			250	kA
V _{DRM}	Repetitive peak off-state voltage	T _J =25°C	2100		3000	V
I _{TSM}	Surge on-state current	T _J =25°C t _p =10ms			25	kA
V _{TM}	Peak forward voltage	T _J =25°C I _p =250kA t _p =50μs			25	V
dv/dt	Critical rate of rise of off-state voltage				1	kV/μs
di/dt	Critical rate of rise of on-state current	T _J =25°C t _p =50μs			60	kA/μs
I _{RT}	Reverse peak trigger current			1.5		kA
T _T	peak trigger current duration		1.5		3.0	μs
t _q	Circuit commutated turn-off time			250		μs
F _m	Mounting force		35		47	kN
Outline	ZT73cT					

Outline:



TECHSEM reserves the right to change specifications without notice.